



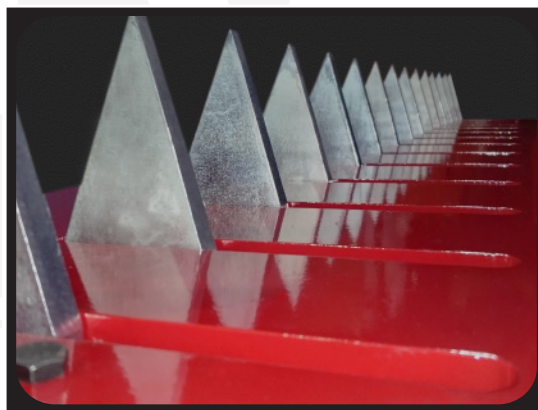
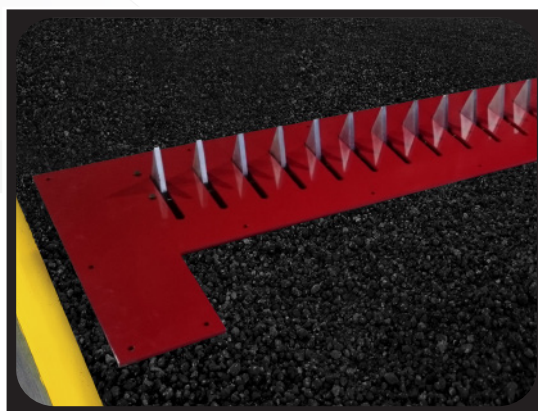
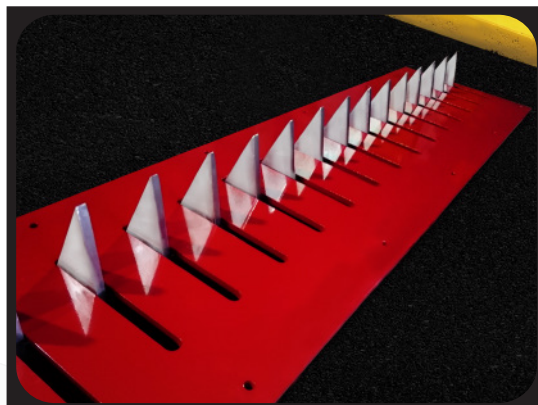
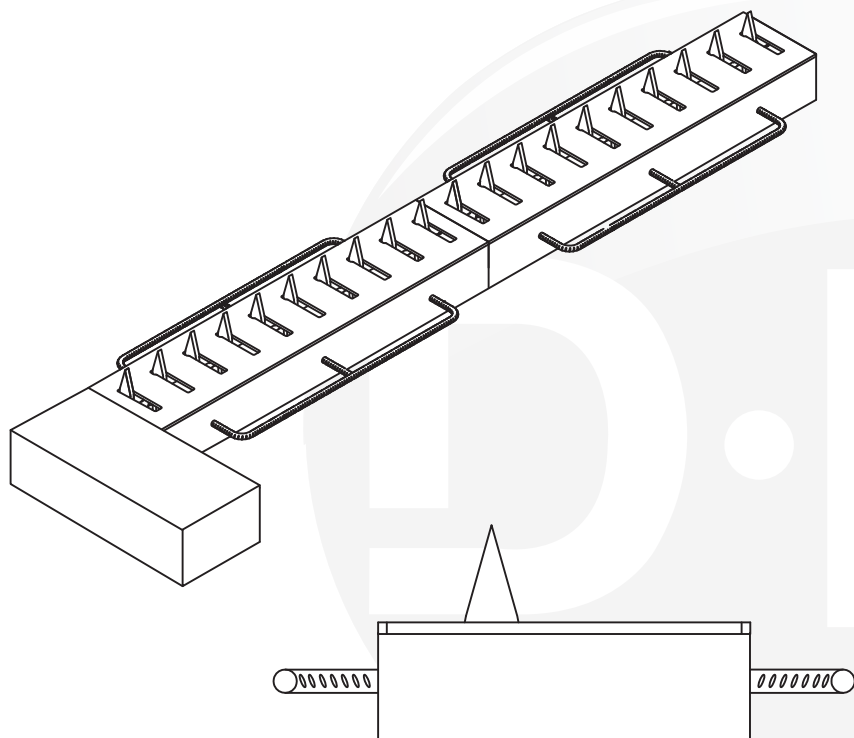
SECURITY
technologies



DR HYDRAULIC SPIKES

DESCRIPTION

DR Hydraulic Spikes is the actuated bidirectional system capable of deflate any sort of tyre in a matter of seconds. Manufactured with robust spikes (10cm length, 1.2 thickness, galvanized steel) our solution can stop any vehicles. The length could reach 6.2m.



FEATURES

■ Height of the spikes from the ground	10cm
■ Spike Thickness	1.2cm
■ Total hydraulic spikes length	1.7 - 2.7 - 3.2 - 4.2 - 4.7 - 5.7 - 6.2m
■ Distance between lock points	9cm
■ Spiked material	Galvanized steel
■ Overall dimensions	40cm width x 20cm height from 1.7 to 6.2m length
■ Lifting time	2 seconds
■ Finish of the hydraulic spikes	Epoxy painting
■ Maximum load support	10 tons
■ Type of use	High security
■ Power supply	220 VAC